



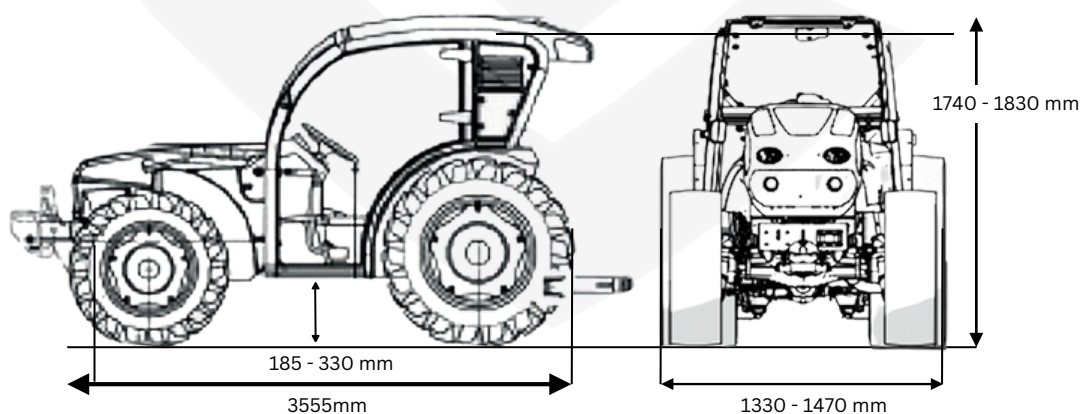
TGF 9900 ERGIT

SPECIALISED LOW PROFILE TRACTOR

Kubota 4 cyl Diesel direct injection Stage 5 Engine 65KW / 90HP • 16+16 Gearbox

The TGF tractor, featuring a super-low profile and unequal wheels, was designed to work nimbly between narrow rows and perform tight turns thanks to its small front wheels. Exceptional performance on any type of terrain. TGF, a powerful but compact vehicle, remains stable and perfectly balanced even when fitted with the most demanding equipment. It is ideal for working in thick orchards, canopy vineyards, greenhouses, and even on steep terrain with a steep horizontal slope.

- **ACTIO™ Full Chassis with Oscillation up to 15°**
- Version with extra-low “low profile” cab starting from 174 cm
- **GRAMMER seat - Air suspension reclining backrest - lumbar support**
- Protector 100 is a low pressurised cab CAT. 4-certified Pressurisation
- **New PTO 540/540S: Ideal for working with a PTO at low revolutions (350/400 rpm)**



TECHNICAL DATA - TGF9900 ERGIT

Description	Value
Engine	Kubota Diesel direct injection Common Rail with counter rotating weight system Emissions Regulations: Stage 5 N° Cylinders: 4 - 16 Valves Turbo Displacement (CC): 3769 Power HP (90): 54,6/74,2 Max. power: 2400 rpm Torque max (Nm/revs): 305/1500 Cooling: Water Tank Capacity (litres): 50
Transmission	32-speed synchronised gearbox: 16 forward + 16 reverse gears with synchronised shuttle Central tunnel free of levers, with gear lever located to the right of the steering wheel and shuttle control on the right of the driving position Cruise control
Transmission clutch	Hydraulic control
Chassis	"ACTIOTM" - Full chassis with oscillation Steering wheels • 4 unequal wheel drive • Front and rear final drive
PTO (shaft)	Rear, independent 540/540E rpm, synchronised in all gears Oil-immersed multiplate clutch with progressive electro-hydraulic engagement Profile 1" 3/8 with 6 splines with facilitated engagement
Drive Disengagement	Electrohydraulic control on the front
Hydraulic system	3 double-acting remote valves including 1 float + 1 oil return 2 pumps with independent circuits
Rear power lift	3-point linkage with Damping function for road transfer FLM and position and draft control (roll bar version) Maximum lift height setting with position and draft control Operating Pressure (bar): 160 Lifting capacity (Kg): 2400
Steering	Hydraulic steering wheel with through-rod cylinder
Brakes	Hydraulic front/rear oil bath disc brakes; independent hydraulic rear steering brakes Automatic emergency and parking oil bath brakes on transmission
Platform	Suspended on Silent Block
Weight	With Protector 100 cab (kg): 2360 ÷ 2585
Optional Extras	Tinted Windows, Rear Camera

Price from \$84,250 + GST*

*Tractor Culture reserves the right to adjust pricing based on exchange rate, & shipping cost.