



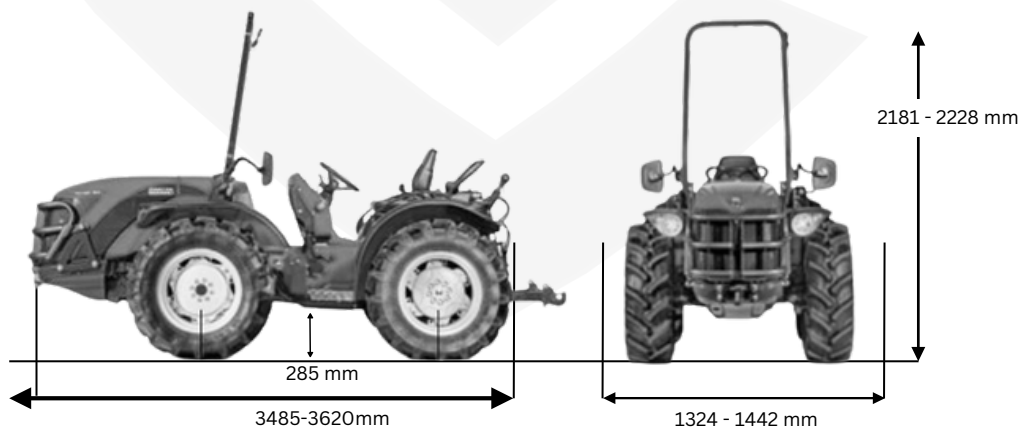
TR 7600 INFINITY

SPECIALISED EQUAL WHEEL TRACTOR

Kohler 4cyl 75hp Stage 5 Engine • Hydrostatic continuous-variable Transmission

TR 7600 Infinity is the isodiametric tractor by Antonio Carraro with hybrid mechanical / hydrostatic transmission, designed for specialized agriculture, road maintenance and greencare. It can also be used for vineyards and orchards, haymaking, earthmoving, road cleaning, banks and slopes. The 75 hp, 4 cylinders engine, propels the tractor up to 40 km/h, assisted by the hydrostatic transmission Infinity in both directions of travel, with two mechanical ranges - 3 speeds each, shiftable while in action with no loss of traction or power interruption.

- **RGSTM power-assisted reversible driving system**
- **ACTIOTM integral oscillating frame**
- **4 equal wheel drive**
- EasyStar 6-post cab is a must-have device to protect the operator from sun, bad weather and dust.
- **ACS – Automatic Cleaning System, new self-cleaning radiator system**
- The UNIFLEX* suspension with electronic control



TECHNICAL DATA - TR 7600 INFINITY

Description	Value
Engine	Diesel with Common Rail Direct Injection, with turbo and intercooler Emissions Standard: Stage 5 No. of cylinders: 4 - 16 Valves Displacement cc: 2482 Power kW/CV (97/68/CE): 55.4/75 Max engine rpm: 2300 Max torque (Nm/rev): 310/1500 Cooling: Liquid : Tank capacity (litres): 50
Transmission	Hydrostatic stepless transmission with 3 hydraulic ratios that can be engaged under load manually or automatically • Electro-hydraulic shuttle • 2 mechanical ranges (work and transfer) • "automotive" device; Instant Cruise Control, Memo Cruise Control, Memo RPM, Dual Memo Cruise Control; Intellifix, Fast Reverse, Drive Mode.
Frame	ACTIOTM integral oscillating frame • Steering wheels • 4 equal-size wheels • RGSTM reversible drive system • Front /rear final drives
PTO (shaft)	Rear, independent 540/540E rpm with progressive electro-hydraulic engagement and synchronised groundspeed 6 spline 1"3/8 shaft with easy coupling
Drive Disengagement	Front with electro-hydraulic control
Hydraulic system	Rear auxiliary hydraulic system with 2 double-acting remote valves, 1 single-acting and 1 oil return (Total of 6 rear hydraulic couplers) N 2 independent pumps
Rear Hydraulic lift	Lifting capacity (kg): 2400 Adjustable lift arms; Cat. 2 sliding quick hitches; Front tow hook; Category "C" height-adjustable rear tow hook
Steering	Hydraulic 2 piston
Brakes	Hydraulically operated oil-immersed discs for front and rear service brakes and steering brakes on rear axle Transmission brake band for emergency and parking brake
Platform	Suspended on Silent Blocks
Weight	With roll bar: 2205 - 2315kg With StarLight cab: 2365 - 2475kg
Optional Extras	Tinted Windows, Rear Camera

Price from \$109,460 + GST*

*Tractor Culture reserves the right to adjust pricing based on exchange rate, & shipping cost.